



PRSC20 - PVC RETAINING CLIP -

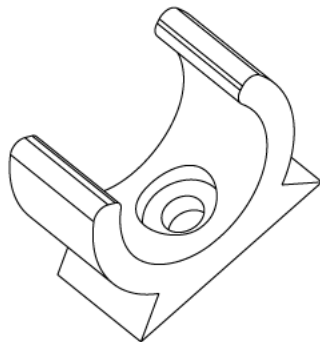
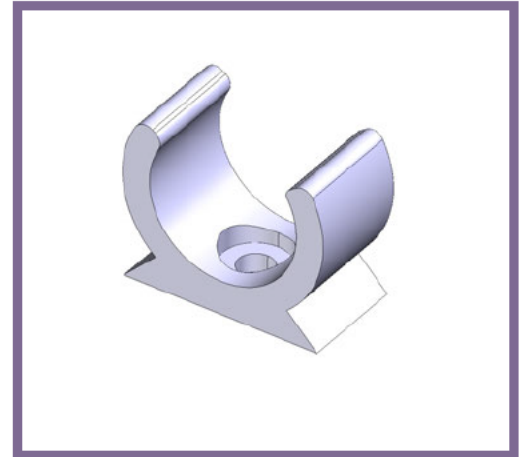
Description PRSC20W / B - 20mm PVC Retaining Clip -

Finish White (W) Black (B)

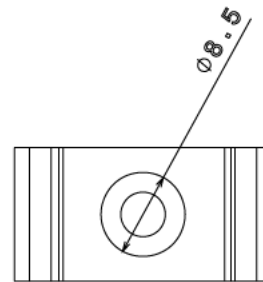
Material PVC

Packaging Packed in qty 100

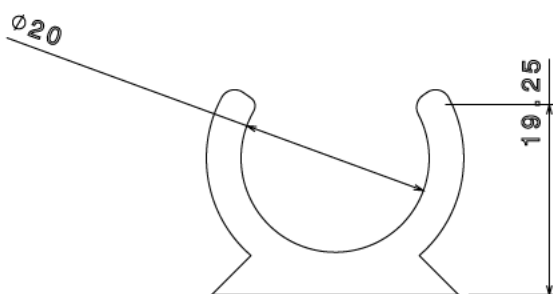
Additional Notes Manufactured to BS4607 part 1



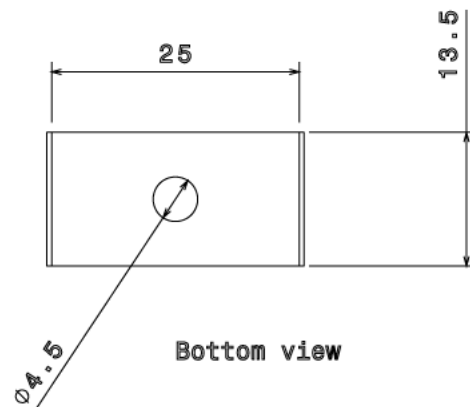
Isometric view



Top view



Side view



Bottom view

All measurements in mm unless otherwise stated