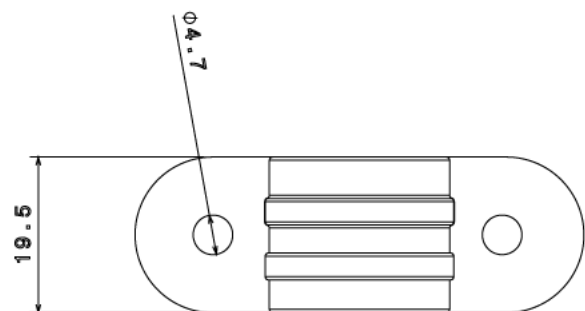
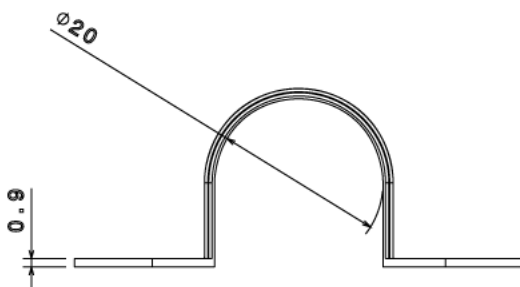
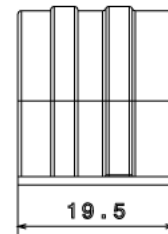
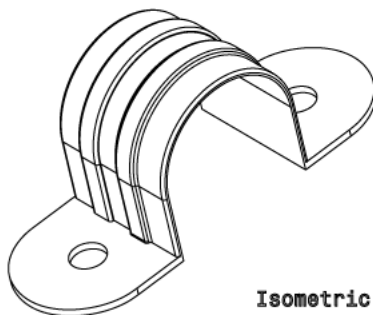
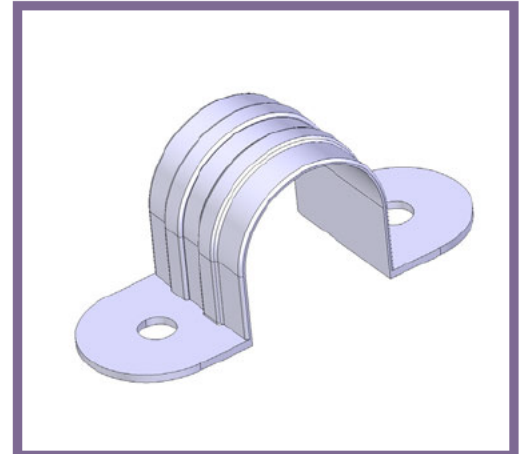




## PS1 - PLAIN SADDLE

<b>Description</b>	PS1G / B - 20mm Plain Saddle
<b>Finish</b>	BZP (G) or Black Enamel (B)
<b>Material</b>	Pressed Steel
<b>Packaging</b>	Packed in qty 100
<b>Additional Notes</b>	Compliant to LU Standard 1-085 (For use on surface & sub-surface locations)



All measurements in mm unless otherwise stated