



PSB25 - PVC CONDUIT SOLID BEND

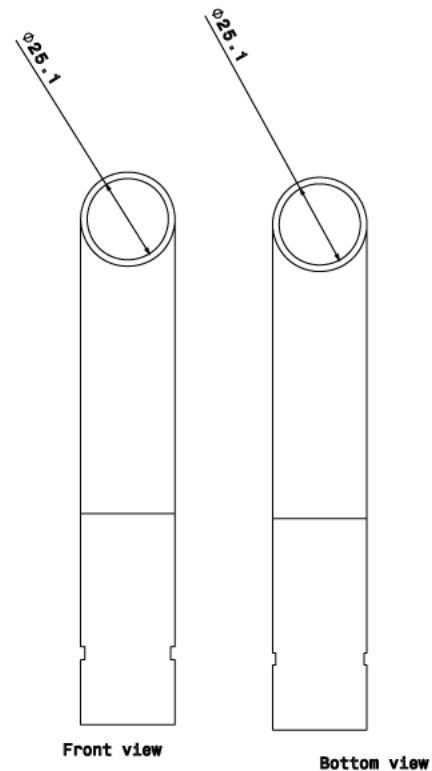
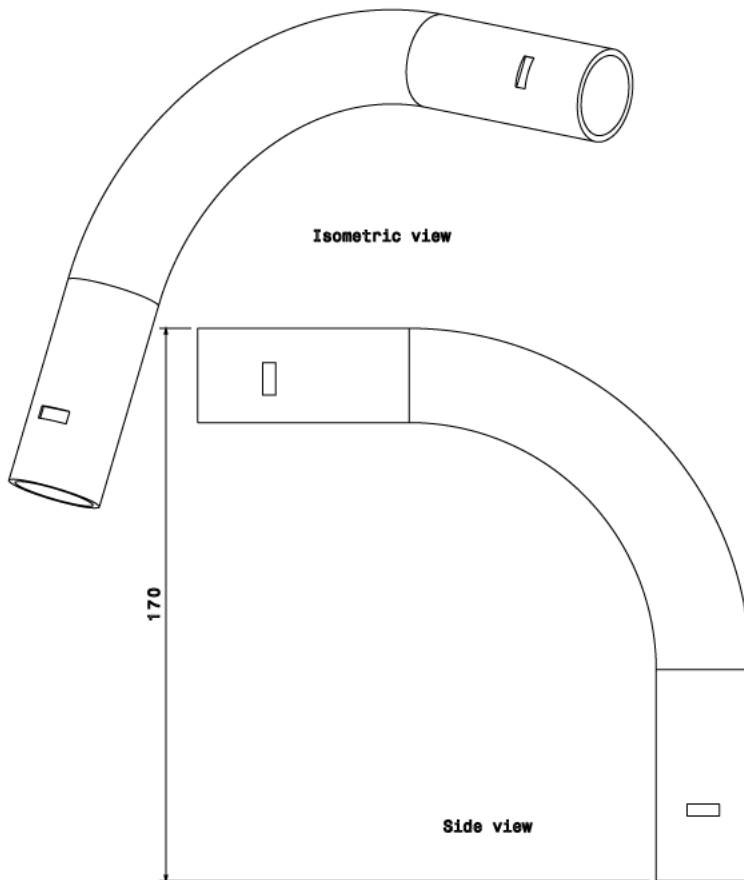
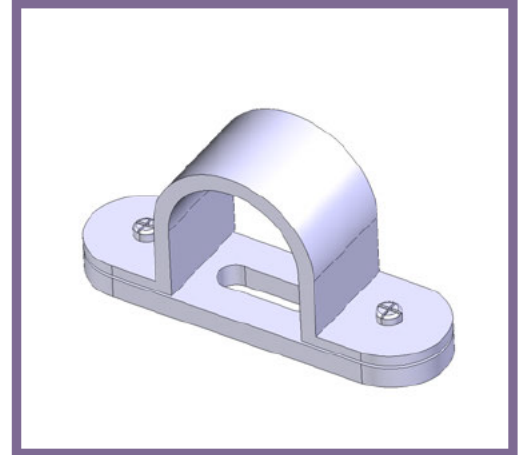
Description PSB25W / B 25mm PVC Solid Bend -

Finish White (W) Black (B)

Material PVC

Packaging Packed in qty 20

Additional Notes Manufactured to BS4607 part 1



All measurements in mm unless otherwise stated