



SB1 - CONDUIT SOLID BEND

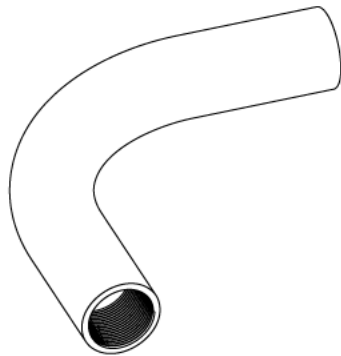
Description SB1G / B - 20mm Conduit Solid Bend

Finish Galvanised (G) or Black Enamel (B)

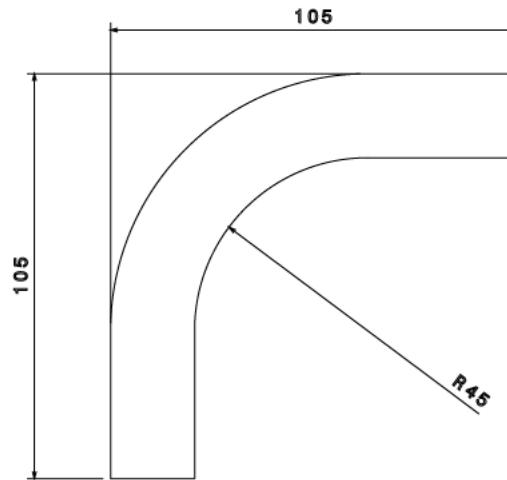
Material Steel

Packaging Packed in qty 10

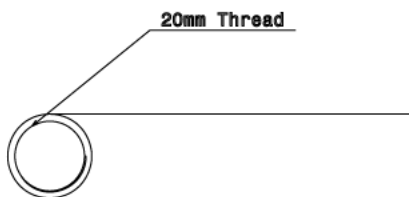
Additional Notes



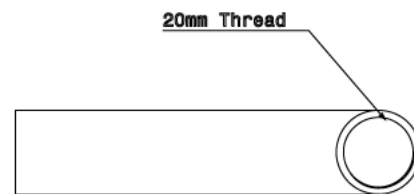
Isometric view



Top view



Right view



Left view

All measurements in mm unless otherwise stated