



SBS38 - SPACER BAR SADDLE

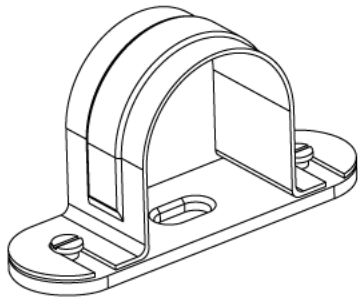
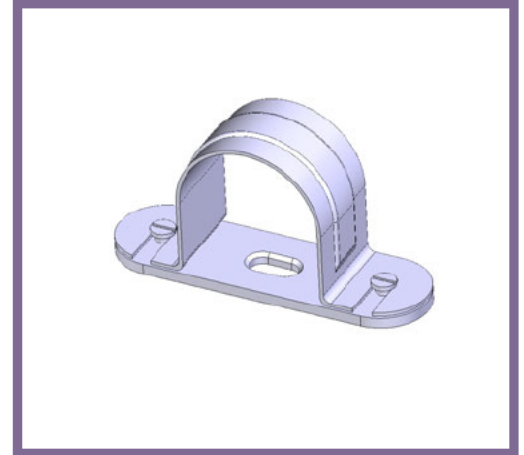
Description SBS38G / B - 1 ½" Spacer Bar Saddle

Finish BZP (G) or Black Enamel (B)

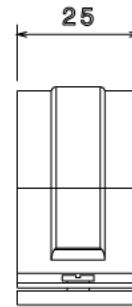
Material Pressed Steel

Packaging Packed in qty 50

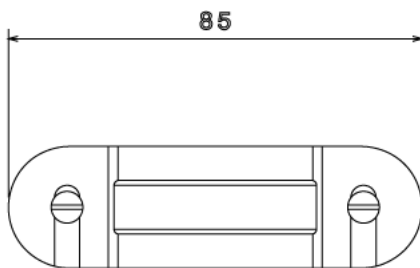
Additional Notes



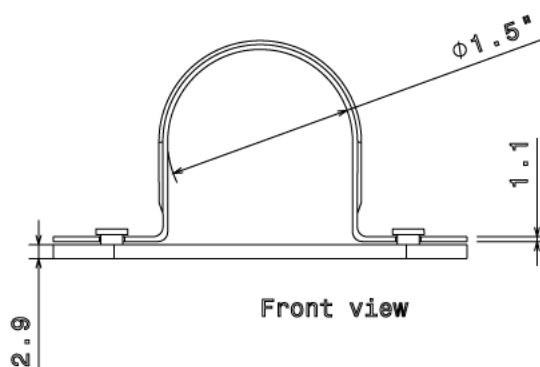
Isometric view



Side view



Top view



Front view

All measurements in mm unless otherwise stated