



## SR16 - EXTENSION RING

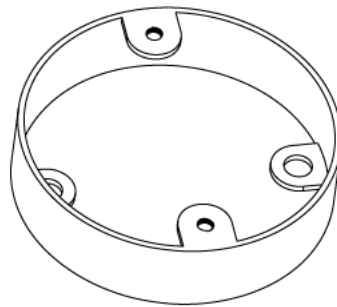
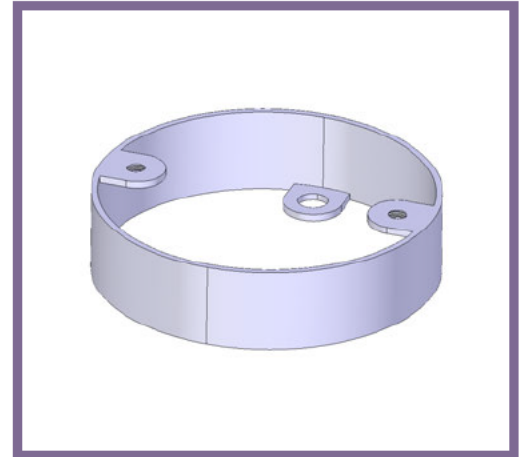
**Description** SR16G / B - 16mm Extension Ring

**Finish** BZP (G) or Black Enamel (B)

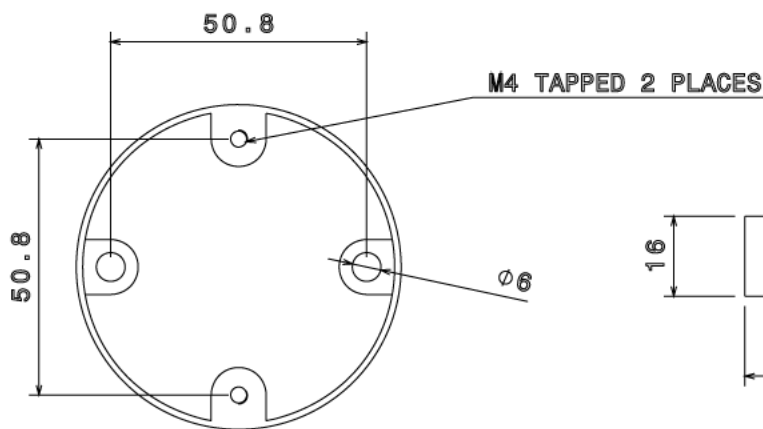
**Material** Steel

**Packaging** Packed in qty 50

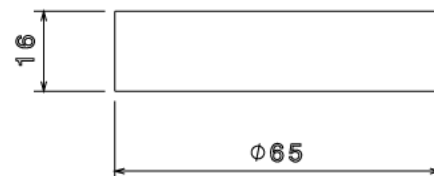
**Additional Notes**



Isometric view



Top view



Side view

All measurements in mm unless otherwise stated