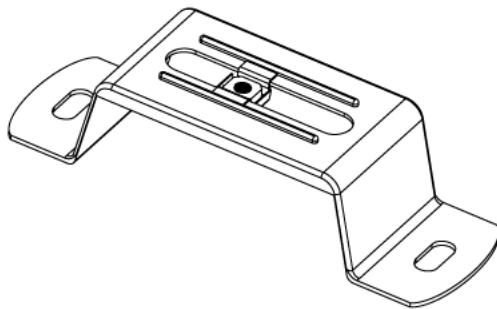
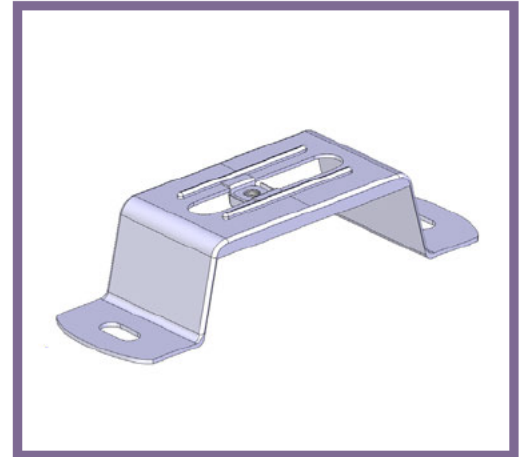


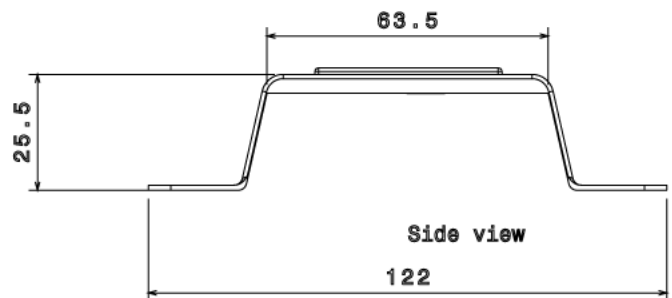


THB75 - TOP HAT BRACKET

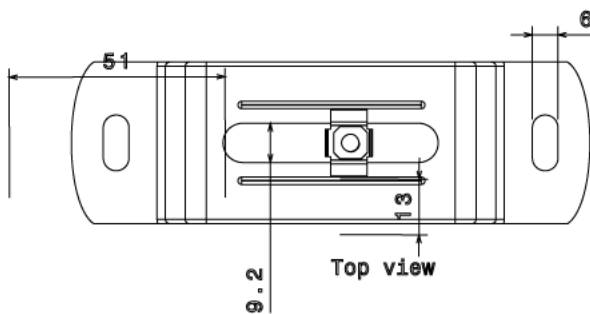
Description	THB75 - 75mm Top Hat Bracket
Finish	Steel
Material	BZP
Packaging	Packed in qty 50
Additional Notes	Supplied with 1 x slot and 1 x M6 Captive nut Compliant to LU Standard 1-085 (for use on surface & sub-surface locations)



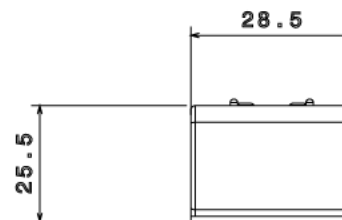
Isometric view



Side view



Top view



Front view

All measurements in mm unless otherwise stated