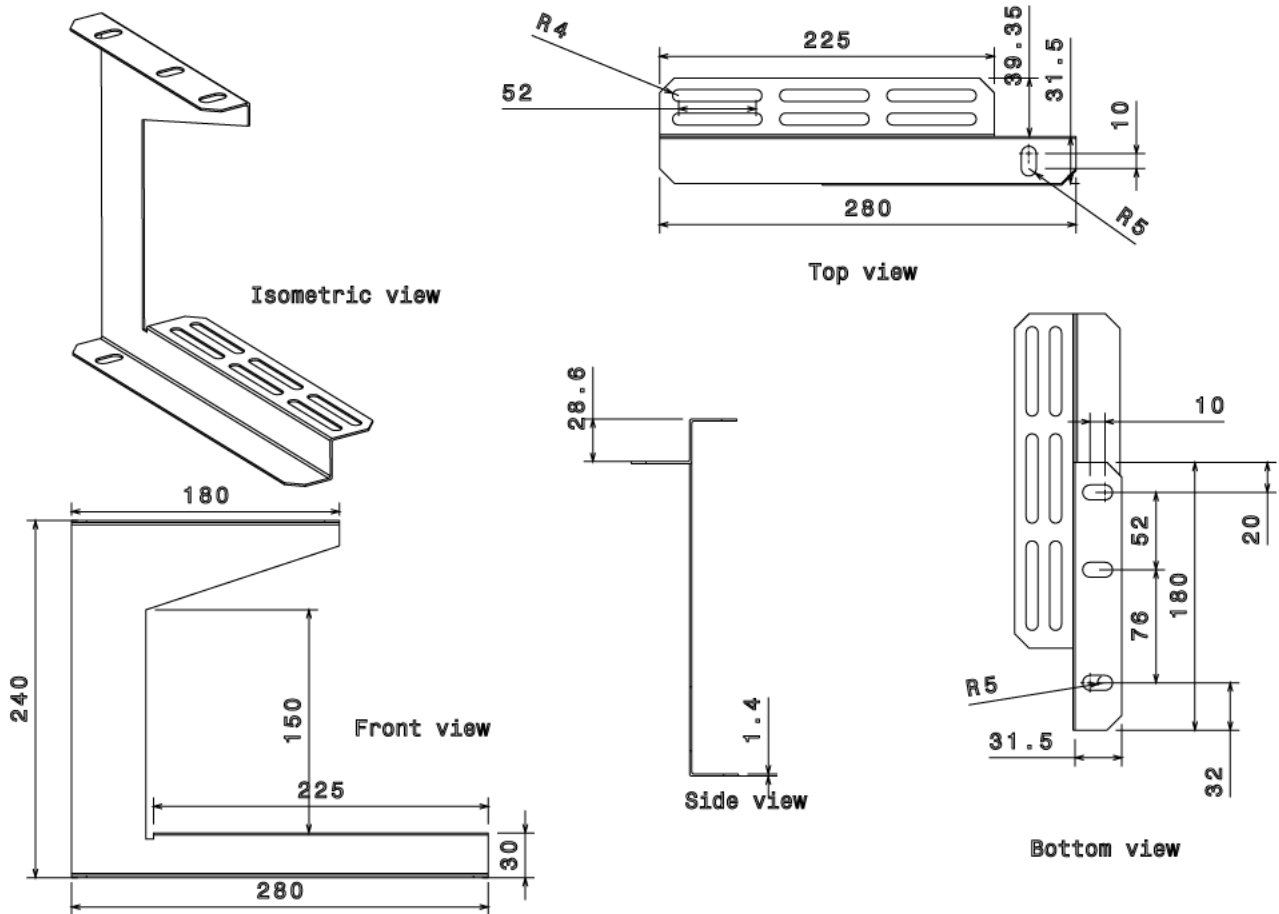
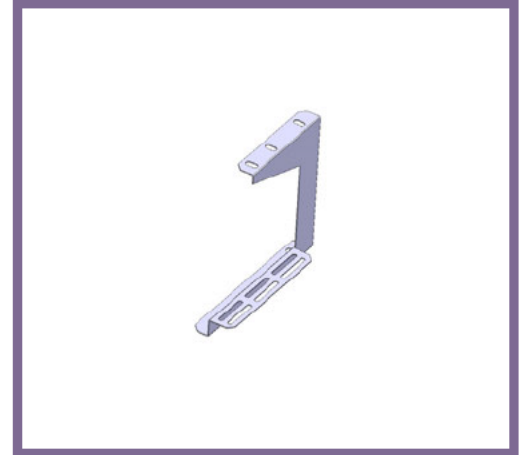




TTH225 - TRAY HANGER

Description	TTH225 - 225mm Tray Hanger
Finish	Pre-Galvanised
Material	Pre-Galvanised Steel
Packaging	Packed in qty 20
Additional Notes	Multiple or single balanced fixing points Compliant to LU Standard 1-085 (for use on surface & sub-surface locations)



All measurements in mm unless otherwise stated